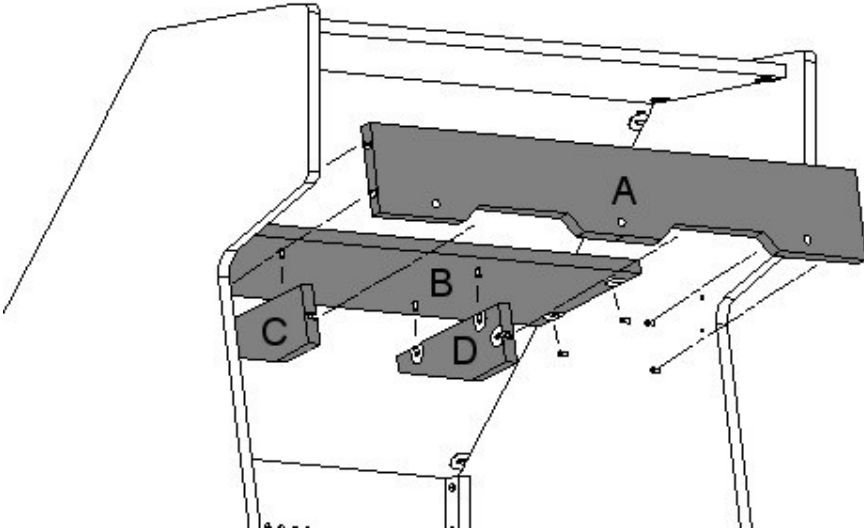


NEW AGE ARCADE ULTIMATE ARCADE MONITOR MOUNT ASSEMBLY INSTRUCTIONS



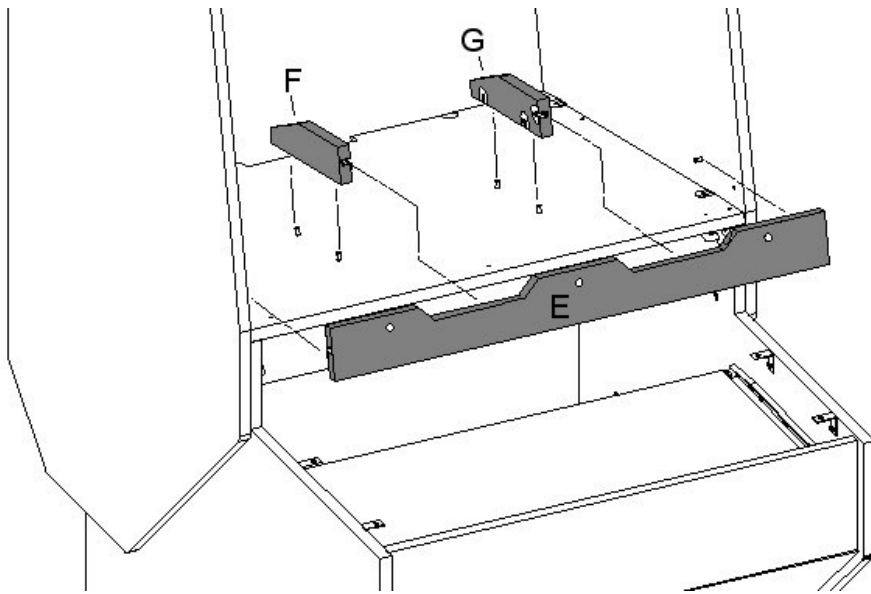
STEP 1

Insert threaded pins and cams into the pre-cut holes in all monitor mount pieces (as illustrated in the Ultimate Arcade II assembly manual).

Insert threaded pins into the Ultimate Arcade II side panels in the available pin holes as shown.

Attach panels A and B to the Ultimate Arcade II cabinet side panels and tighten all engaging cams.

Then attach panels C and D to panels A and B as shown. Fully tighten all engaging cams.



STEP 2

Insert threaded pins into the Ultimate Arcade II cabinet in the available pin holes as shown.

Attach panel E to the Ultimate Arcade II cabinet side panels as shown. Fully tighten all engaging cams.

Attach panels F and G to the Ultimate Arcade II cabinet and panel E as shown. Fully tighten all engaging cams.